

TM-ZR300 31014020630 BOOM/4 SECT.,HOOK-IN

PB0000025-03 SYSTEM (ZR300,DOMESTIC)
PB0000032-03 SYSTEM (ZR360,DOMESTIC)
PB0000059-02 SYSTEM (ZR300,EXPORT)
PB0000060-03 SYSTEM (ZR360,EXPORT)
ASSEMBLY

www.AutoEPC.com

TM-ZR300 31014020630 BOOM/4 SECT.,HOOK-IN
PB0000025-03 SYSTEM (ZR300,DOMESTIC)

ZR300,コクナイ
ZR300,DOMESTIC

i ブームシステム
BOOM SYSTEM

注意：①適用製造番号によっては取り付けがないものもあります。

NOTE:①MACHINES OF SOME SERIAL NO.ARE NOT EQUIPPED WITH
THESE PARTS.

TM-ZR300 31014020630 BOOM/4 SECT.,HOOK-IN

Pos No.	Parts No	Parts Name	Qty	Unit	Technical Data	Serial No (Start)	Serial
1	(*****)	BOOM SYSTEM	1				

www.AutoEPC.com

TM-ZR300 31014020630 BOOM/4 SECT.,HOOK-IN
PB0000032-03 SYSTEM (ZR360,DOMESTIC)

ZR360,コクナイ
ZR360,DOMESTIC

i ブームシステム
BOOM SYSTEM

注意：①適用製造番号によっては取り付けがないものもあります。

NOTE:①MACHINES OF SOME SERIAL NO.ARE NOT EQUIPPED WITH
THESE PARTS.

TM-ZR300 31014020630 BOOM/4 SECT.,HOOK-IN

Pos No.	Parts No	Parts Name	Qty	Unit	Technical Data	Serial No (Start)	Serial
1	(*****)	BOOM SYSTEM	1				

www.AutoEPC.com

TM-ZR300 31014020630 BOOM/4 SECT.,HOOK-IN
PB0000059-02 SYSTEM (ZR300,EXPORT)

ZR300,カイカイ
ZR300,EXPORT

i ブームシステム
BOOM SYSTEM

注意：①適用製造番号によっては取り付けがないものもあります。

NOTE:①MACHINES OF SOME SERIAL NO.ARE NOT EQUIPPED WITH
THESE PARTS.

TM-ZR300 31014020630 BOOM/4 SECT.,HOOK-IN

Pos No.	Parts No	Parts Name	Qty	Unit	Technical Data	Serial No (Start)	Serial
1	(*****)	BOOM SYSTEM	1				

www.AutoEPC.com

TM-ZR300 31014020630 BOOM/4 SECT.,HOOK-IN
PB0000060-03 SYSTEM (ZR360,EXPORT)

ZR360,カイガイ
ZR360,EXPORT

i ブームシステム
BOOM SYSTEM

注意：①適用製造番号によっては取り付けがないものもあります。

NOTE:①MACHINES OF SOME SERIAL NO.ARE NOT EQUIPPED WITH
THESE PARTS.

TM-ZR300 31014020630 BOOM/4 SECT.,HOOK-IN

Pos No.	Parts No	Parts Name	Qty	Unit	Technical Data	Serial No (Start)	Serial
1	(*****)	BOOM SYSTEM	1				

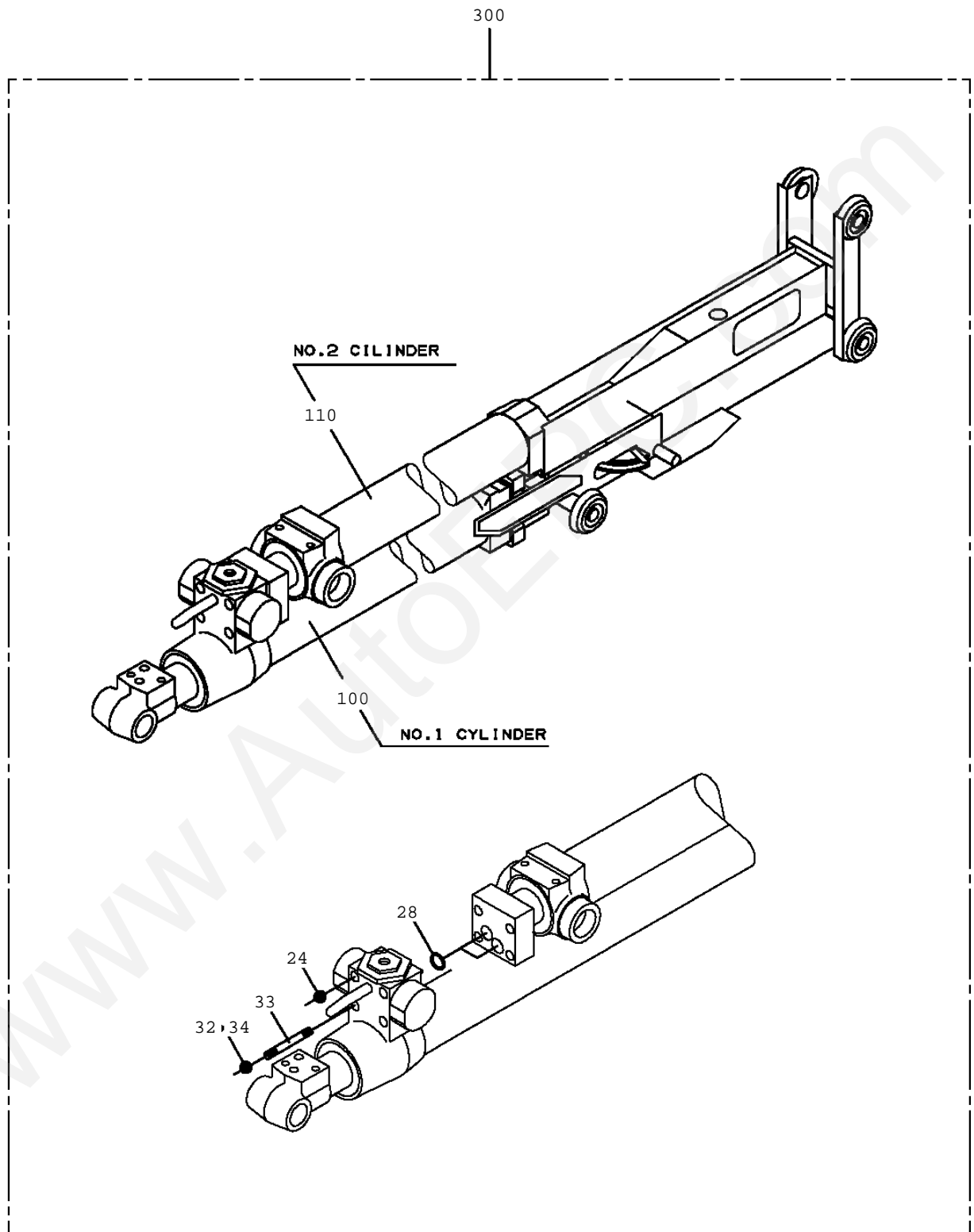
www.AutoEPC.com

TM-ZR300 31014020630 BOOM/4 SECT.,HOOK-IN

PC6470057-00 CYLINDER ASSY,TELESCOPING
PC6470058-00 CYLINDER ASSY,TELESCOPING
PF1050257-05 HOOK (SHEAVE 2 PC'S)
PF1070033-00 ROPE,WIRE (KISWIRE)
PF1090022-01 SOCKET,ROPE
PG1010869-01 BOOM
PG1120177-00 DETECTOR,BOOM LENGTH (BML,2-4SECT.)
PG1130134-00 DETECTOR,BOOM LENGTH
PG1200149-02 PIPING,TELESCOPING
PH1060326-00 DETECTOR,OVER WIND (CHAIN,FOR WEIGHT)
PH1060417-01 DETECTOR,OVERWIND
PI1250125-02 VALVE,COUNTERBALANCE
PN1013762-01 ELEC.ASSY
PO1014273-00 PLATE ASSY,NAME (JAPANESE)
PO1014275-01 PLATE ASSY,NAME (ENGLISH)
PT5130048-00 TELESCOPE ASSY
PZ1000486-00 BOOM SYSTEM
PZ1000486-00 BOOM SYSTEM

www.AutoEPC.com

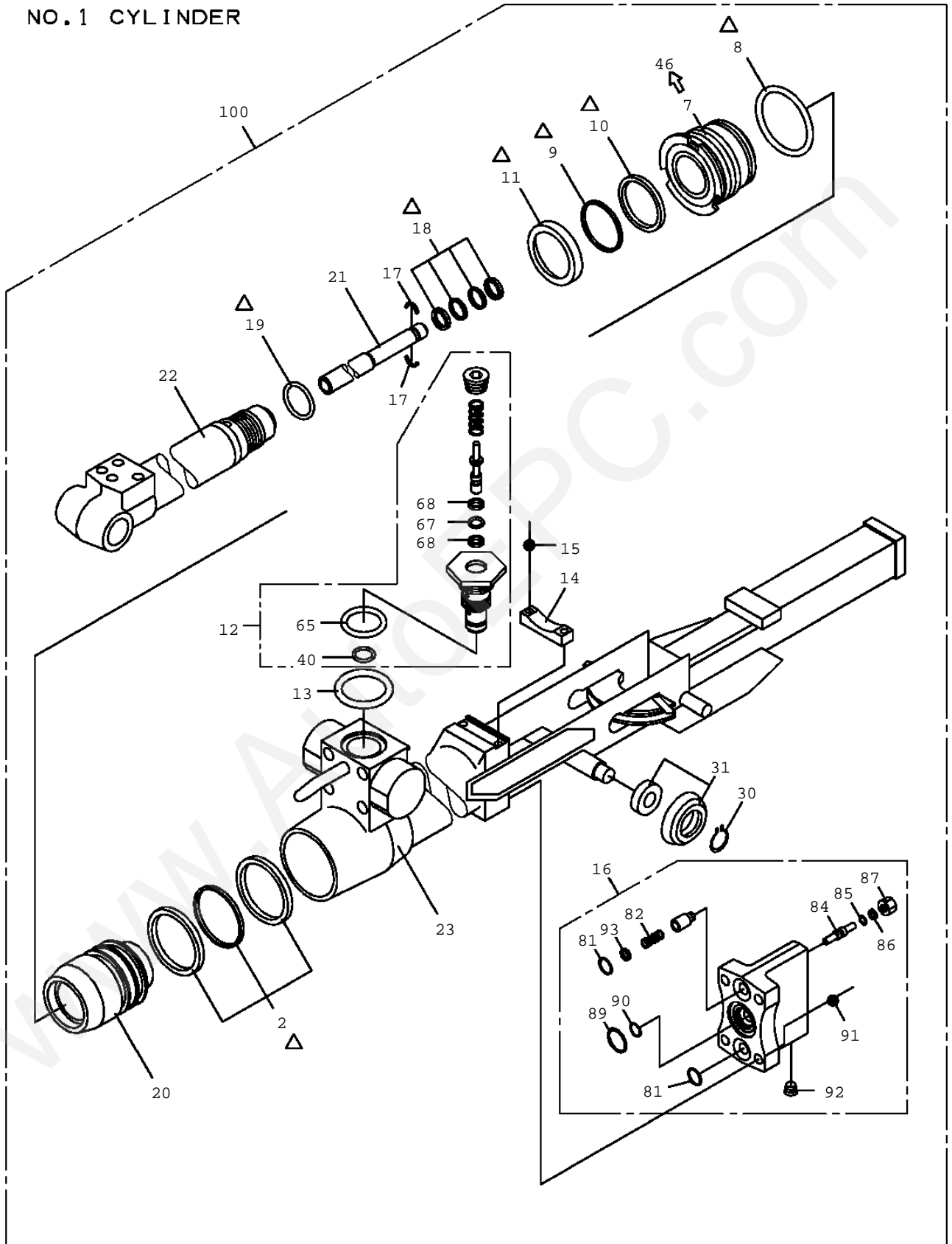
TM-ZR300 31014020630 BOOM/4 SECT.,HOOK-IN
PC6470057-00 CYLINDER ASSY,TELESCOPING



展開図有
ILLUSTRATED BREAKDOWN NO.100 110 D

TM-ZR300 31014020630 BOOM/4 SECT.,HOOK-IN
 PC6470057-00 CYLINDER ASSY,TELESCOPING

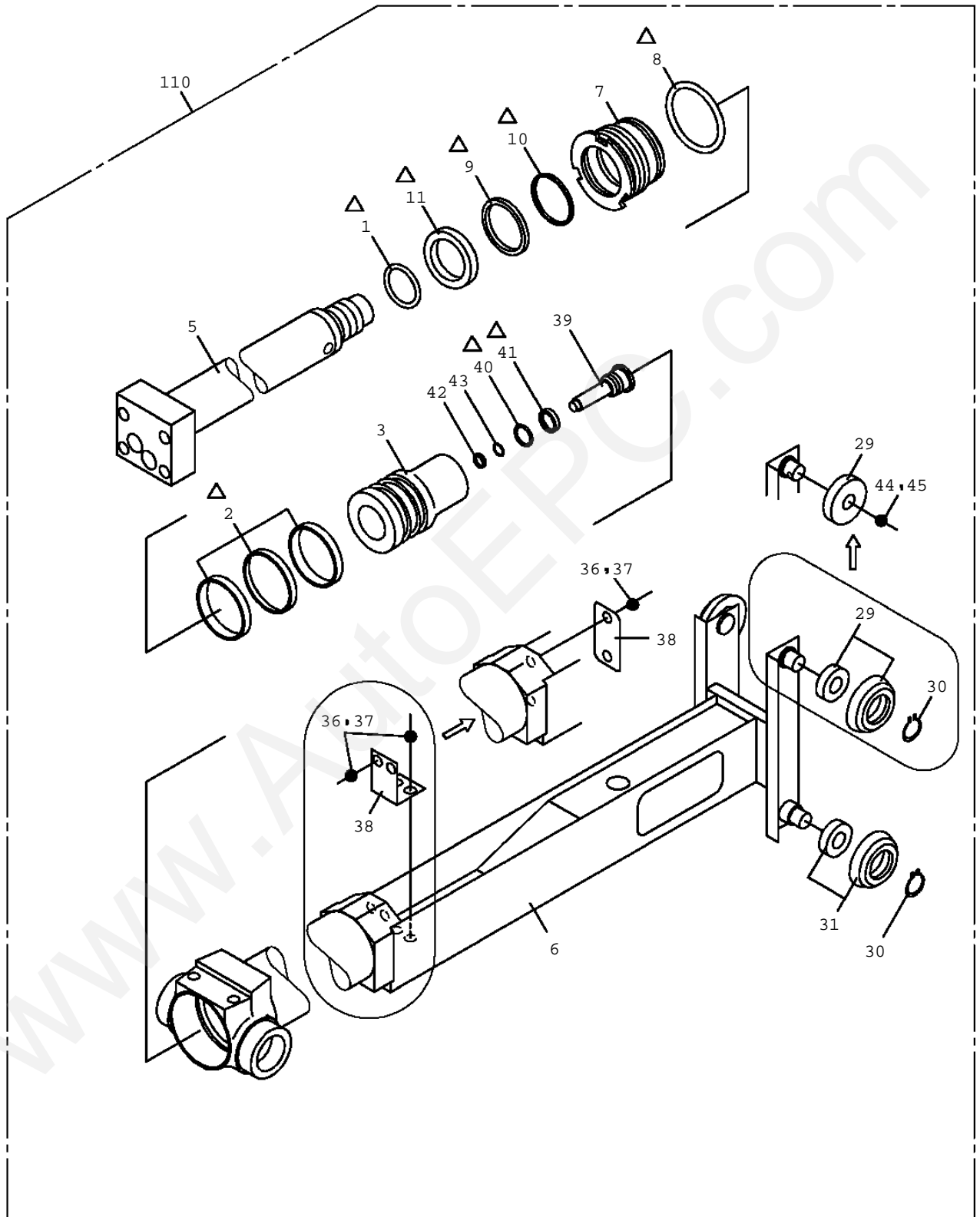
NO.1 CYLINDER



△:PACKING SET KEY NO.120 (KEY NO.2,8,9,10,11,18,19)

TM-ZR300 31014020630 BOOM/4 SECT.,HOOK-IN
PC6470057-00 CYLINDER ASSY,TELESCOPING

NO.2 CYLINDER

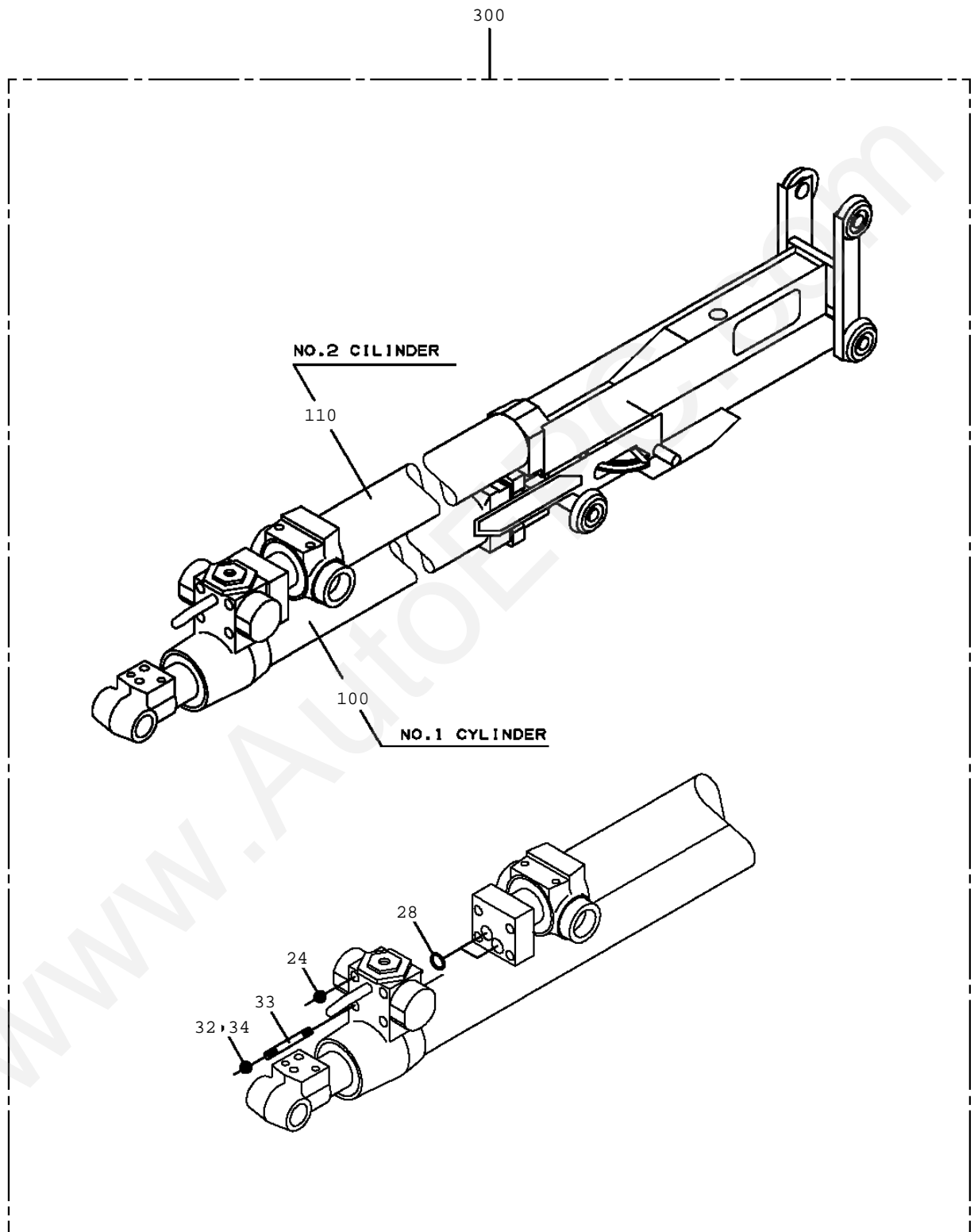


△:PACKING SET KEY NO.130 (KEY NO.1,2,8,9,10,11,40,41)

TM-ZR300 31014020630 BOOM/4 SECT.,HOOK-IN

Pos No.	Parts No	Parts Name	Qty	Unit	Technical Data	Serial N
1	91002802800	O-RING	1		1B P28	
2	91350206000	BEARING,PLAIN (WITH PACKINGX2)	2			
3	36016030400	PISTON	1			
5	36016034000	ROD	1			
6	36016031000	CYLINDER	1			
7	36016030100	COVER,ROD	1			
8	91002905500	O-RING	2		1B G55	
9	91694004500	PACKING	2			
10	91410204502	RING,BACKUP	2			
11	91660004501	SEAL,DUST	2			
12	36012150700	VALVE,CHECK	1			
13	91001103800	O-RING	1		1A P38	
14	37002008830	PLATE,SLIDE	1			
15	80171304012	SCREW,MACHINE	2		M4X12	
16	36624620000	VALVE,CHECK	1			
	36625270000	VALVE,CHECK	1			DE3538
17	36010060340	STOPPER	2			
18	37000402120	BEARING,PLAIN (WITH PACKINGX2)	1			
19	91002903500	O-RING	1		1B G35	
20	36013793000	PISTON	1			
21	36014320100	PIPE	1			
22	36016032000	ROD	1			
23	36016033000	CYLINDER	1			
24	90172112065	BOLT,HEXAGON SOCKET	3		M12X65	
28	91001101400	O-RING	2		1A P14	
29	37001110540	ROLLER	2			
30	80601110150	RING,RITAINING	4		15	
31	37001103490	ROLLER ASSY	4			
32	90201781200	NUT	1		M12	
33	90141812070	BOLT,STUD	1		M12X70	
34	90302041201	WASHER,SPRING	1		12	
36	90172110016	BOLT,HEXAGON SOCKET	2		M10X16	
37	90302041001	WASHER,SPRING	2		10	
38	36016030500	PLATE	1			
39	36016030300	PLUNGER	1			
40	91002801600	O-RING	2		1B P16	
41	91411001600	RING,BACKUP	1		P16	
42	36016030350	SEAL				
	91100401200	SEAL	1		IRTW-16	
	91100401200	SEAL			IRTW-16	
	36016030350	SEAL	1			DD2555
43	80640100160	RING,RITAINING	1		IRTW-16	
44	80720102520	PIN,SPRING	2			
45	90303071401	WASHER,PLAIN	4		14	
46	36016030600	COVER,ROD	1			
65	91002802201	O-RING	1		1B P22A	
67	91001100700	O-RING	1		1A P7	
68	91411000700	RING,BACKUP	2		P7	
81	91001101400	O-RING	2		1A P14	
82	37001201560	SPRING	1			
84	36622730200	ROD	1			
	36625270200	ROD	1			DE3538
85	91001100600	O-RING	1		1A P6	
86	91411000600	RING,BACKUP	1		P6	
87	36622730400	CAP	1			
89	91001202500	O-RING	1		1A G25	
90	91002801500	O-RING	1		1B P15	
91	90131708025	BOLT,HEXAGON SOCKET	4		M8X25	
92	80316090020	PLUG	1		KKT PT1/8	
93	36622730500	SPACER	1		L=5	
100	36016039510	CYLINDER,TELESCOPING (NO.1)	1			
110	36016039520	CYLINDER,TELESCOPING (NO.2)	1			
120	36016039900	PACKING SET	1		45X60	
130	36016039920	PACKING SET	1		45X60	
300	36016030000	CYLINDER ASSY,TELESCOPING	1			

TM-ZR300 31014020630 BOOM/4 SECT.,HOOK-IN
PC6470058-00 CYLINDER ASSY,TELESCOPING

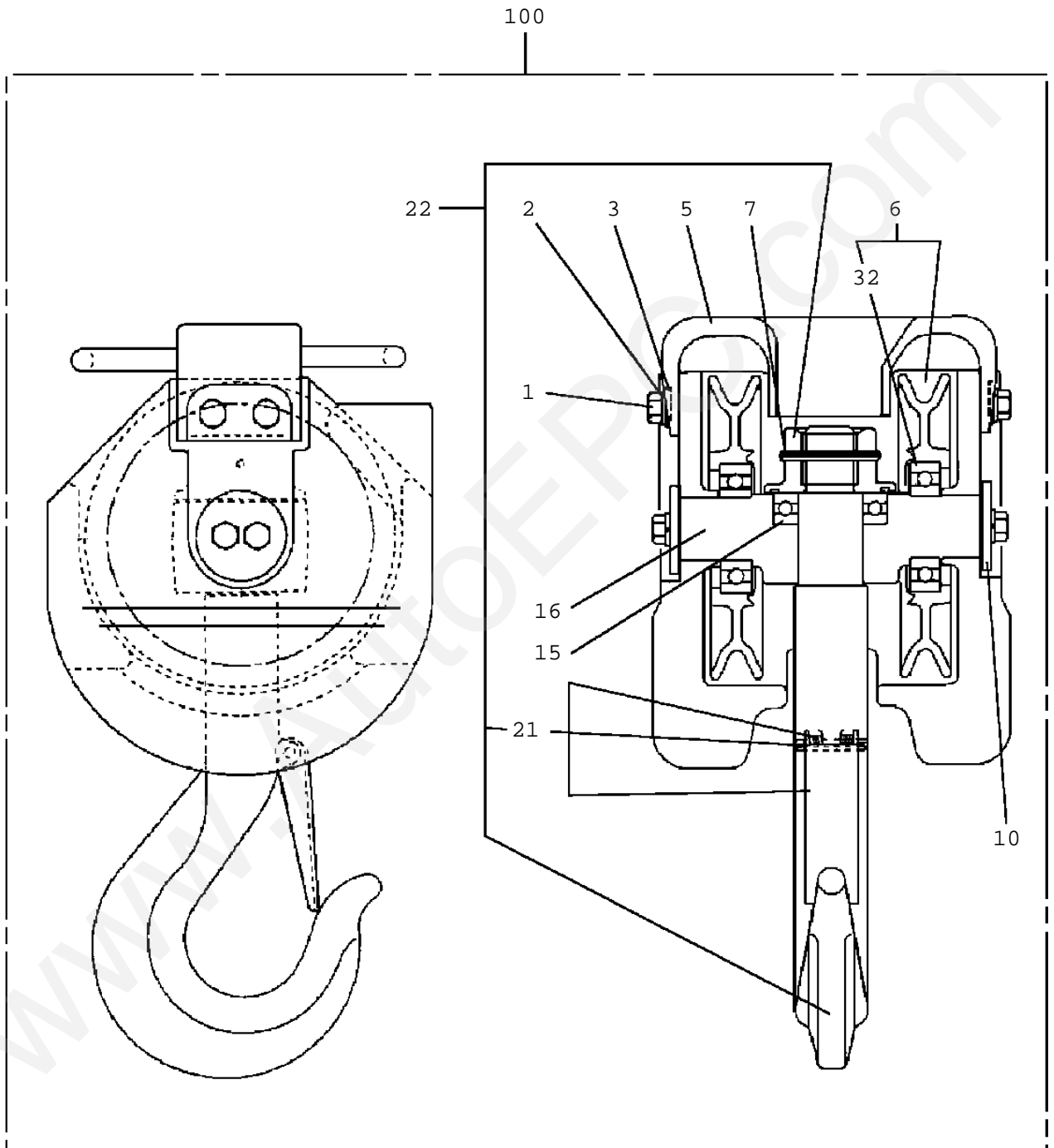


展開図有
ILLUSTRATED BREAKDOWN NO.100 110 D

TM-ZR300 31014020630 BOOM/4 SECT.,HOOK-IN

Pos No.	Parts No	Parts Name	Qty	Unit	Technical Data	Serial
1	91002802800	O-RING	1		1B P28	
2	91350206000	BEARING,PLAIN (WITH PACKINGX2)	2			
3	36016030700	PISTON	1			
5	36016034000	ROD	1			
6	36016031000	CYLINDER	1			
7	36016030100	COVER,ROD	1			
8	91002905500	O-RING	2		1B G55	
9	91694004500	PACKING	2			
10	91410204502	RING,BACKUP	2			
11	91660004501	SEAL,DUST	2			
12	36012150700	VALVE,CHECK	1			
13	91001103800	O-RING	1		1A P38	
14	37002008830	PLATE,SLIDE	1			
15	80171304012	SCREW,MACHINE	2		M4X12	
16	36625270000	VALVE,CHECK	1			DE3538
17	36010060340	STOPPER	2			
18	37000402120	BEARING,PLAIN (WITH PACKINGX2)	1			
19	91002903500	O-RING	1		1B G35	
20	36013793000	PISTON	1			
21	36014320100	PIPE	1			
22	36016032000	ROD	1			
23	36016033000	CYLINDER	1			
24	90172112065	BOLT,HEXAGON SOCKET	3		M12X65	
28	91001101400	O-RING	2		1A P14	
29	37001110540	ROLLER	2			
30	80601110150	RING,RITAINING	4		15	
31	37001103490	ROLLER ASSY	4			
32	90201781200	NUT	1		M12	
33	90141812070	BOLT,STUD	1		M12X70	
34	90302041201	WASHER,SPRING	1		12	
36	90172110016	BOLT,HEXAGON SOCKET	2		M10X16	
37	90302041001	WASHER,SPRING	2		10	
38	36016030500	PLATE	1			
39	36016030300	PLUNGER	1			
40	91002801600	O-RING	2		1B P16	
41	91411001600	RING,BACKUP	1		P16	
42	36016030351	SEAL	1			
43	80602110200	RING,RITAINING	1		R20	
44	80720102520	PIN,SPRING	2			
45	90303071401	WASHER,PLAIN	4		14	
46	36016030600	COVER,ROD	1			
65	91002802201	O-RING	1		1B P22A	
67	91001100700	O-RING	1		1A P7	
68	91411000700	RING,BACKUP	2		P7	
81	91001101400	O-RING	2		1A P14	
82	37001201560	SPRING	1			
84	36625270200	ROD	1			
85	91001100600	O-RING	1		1A P6	DE3538
86	91411000600	RING,BACKUP	1		P6	
87	36622730400	CAP	1			
89	91001202500	O-RING	1		1A G25	
90	91002801500	O-RING	1		1B P15	
91	90131708025	BOLT,HEXAGON SOCKET	4		M8X25	
92	80316090020	PLUG	1		KKT PT1/8	
93	36622730500	SPACER	1		L=5	
100	36016039510	CYLINDER,TELESCOPING (NO.1)	1			
110	36016039521	CYLINDER ASSY,TELESCOPING (NO.2)	1			
120	36016039900	PACKING SET	1		45X60	
130	36016039920	PACKING SET	1		45X60	
300	36016030001	CYLINDER ASSY,TELESCOPING	1			

TM-ZR300 31014020630 BOOM/4 SECT., HOOK-IN
PF1050257-05 HOOK (SHEAVE 2 PC'S)



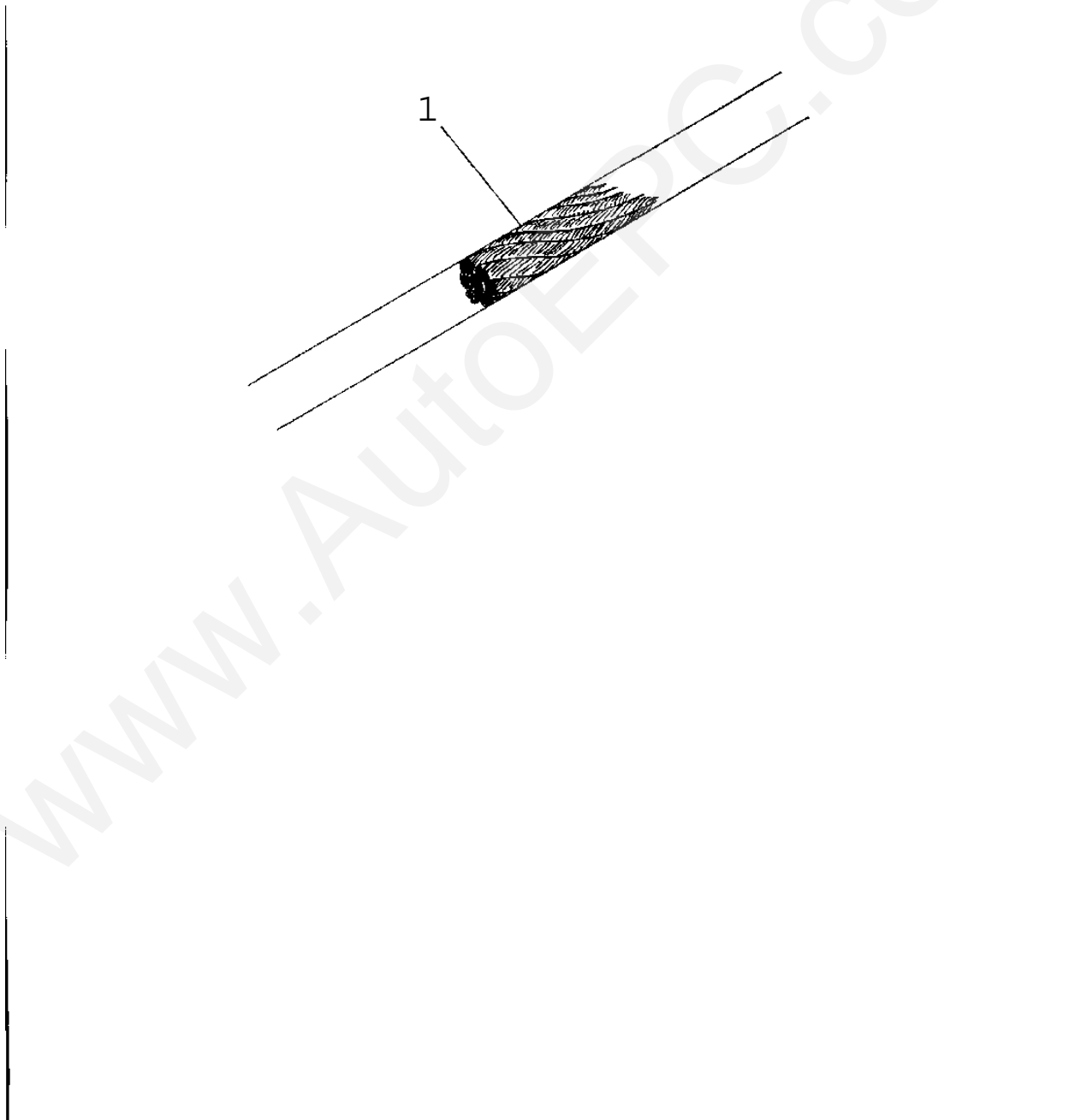
TM-ZR300 31014020630 BOOM/4 SECT.,HOOK-IN

Pos No.	Parts No	Parts Name	Qty	Unit	Technical Data	Serial No (Start)
1	90191510020	BOLT,HEXAGON SOCKET	8		M10X20	
2	90302041001	WASHER,SPRING	8		10	
3	90303071001	WASHER,PLAIN	4		10	
5	36093865301	SUPPORT ASSY	1			
6	37001008670	SHEAVE ASSY	2			
7	80720105056	PIN,SPRING	1		5X56	
10	36093865700	COVER	2			
15	80500051207	BEARING,BALL	1			
16	36093865600	TRUNNION	1			
21	36090299510	STOPPER ASSY	1			
22	36093865010	HOOK ASSY	1			
32	36093861100	BEARING,BALL	2			
100	36093860000	HOOK (SHEAVE 2 PC'S)	1			

www.AutoEPC.com

TM-ZR300 31014020630 BOOM/4 SECT.,HOOK-IN
PF1070033-00 ROPE,WIRE (KISWIRE)

REF ID: A11111

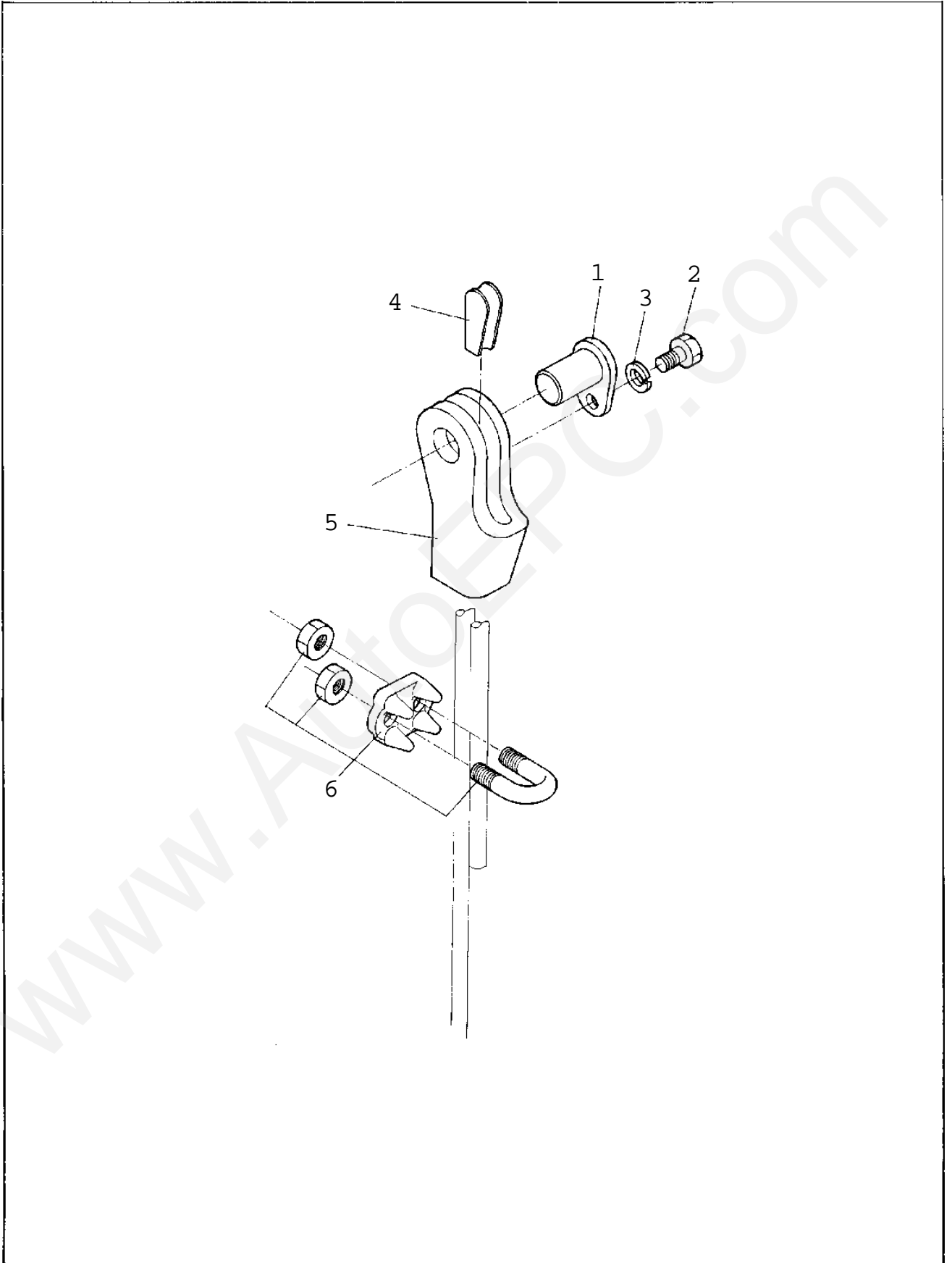


TM-ZR300 31014020630 BOOM/4 SECT.,HOOK-IN

Pos No.	Parts No	Parts Name	Qty	Unit	Technical Data	Serial No (Start)
1	37001804860	ROPE,WIRE (KISWIRE)	1			

www.AutoEPC.com

TM-ZR300 31014020630 BOOM/4 SECT.,HOOK-IN
PF1090022-01 SOCKET,ROPE

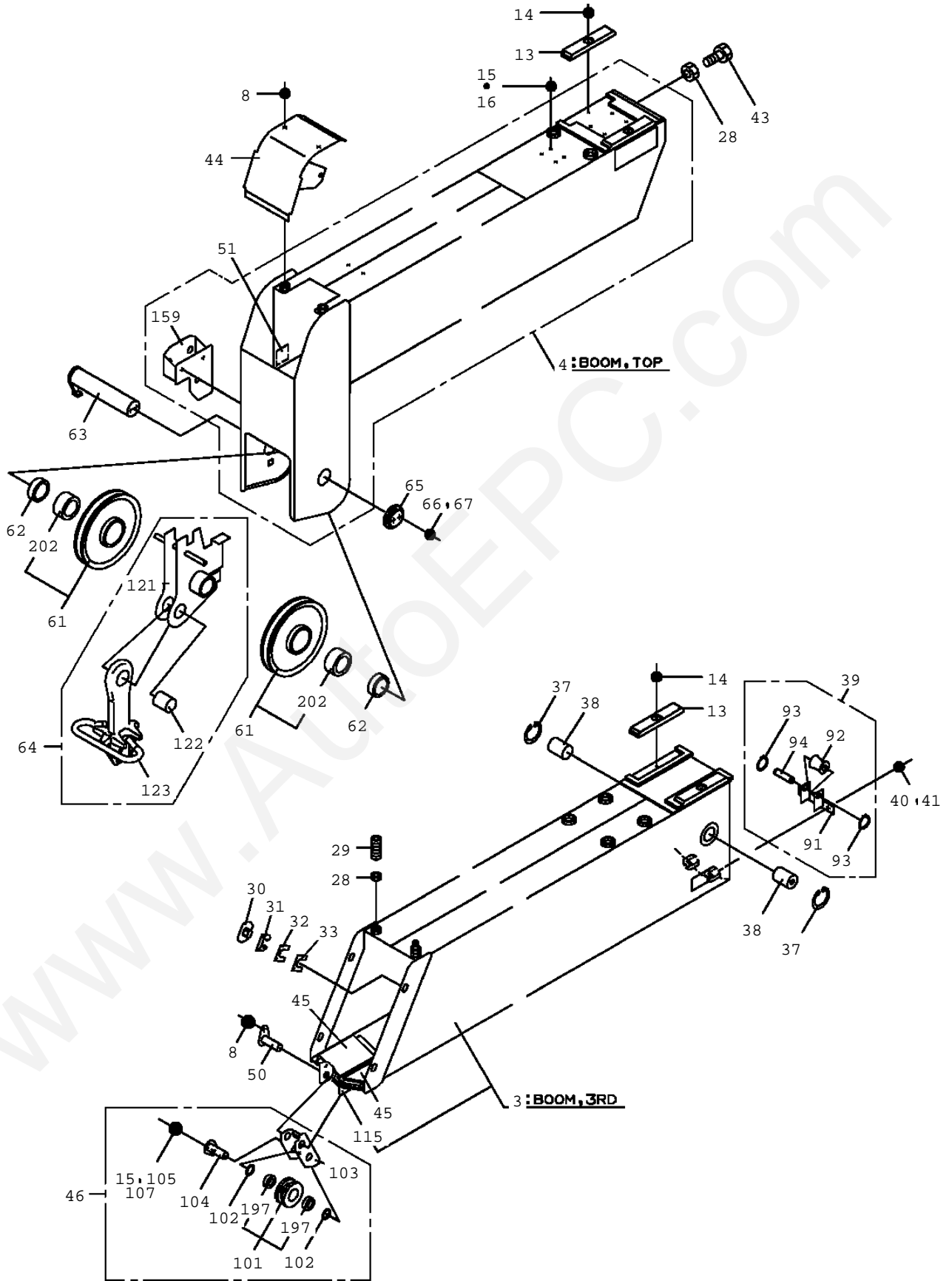


TM-ZR300 31014020630 BOOM/4 SECT.,HOOK-IN

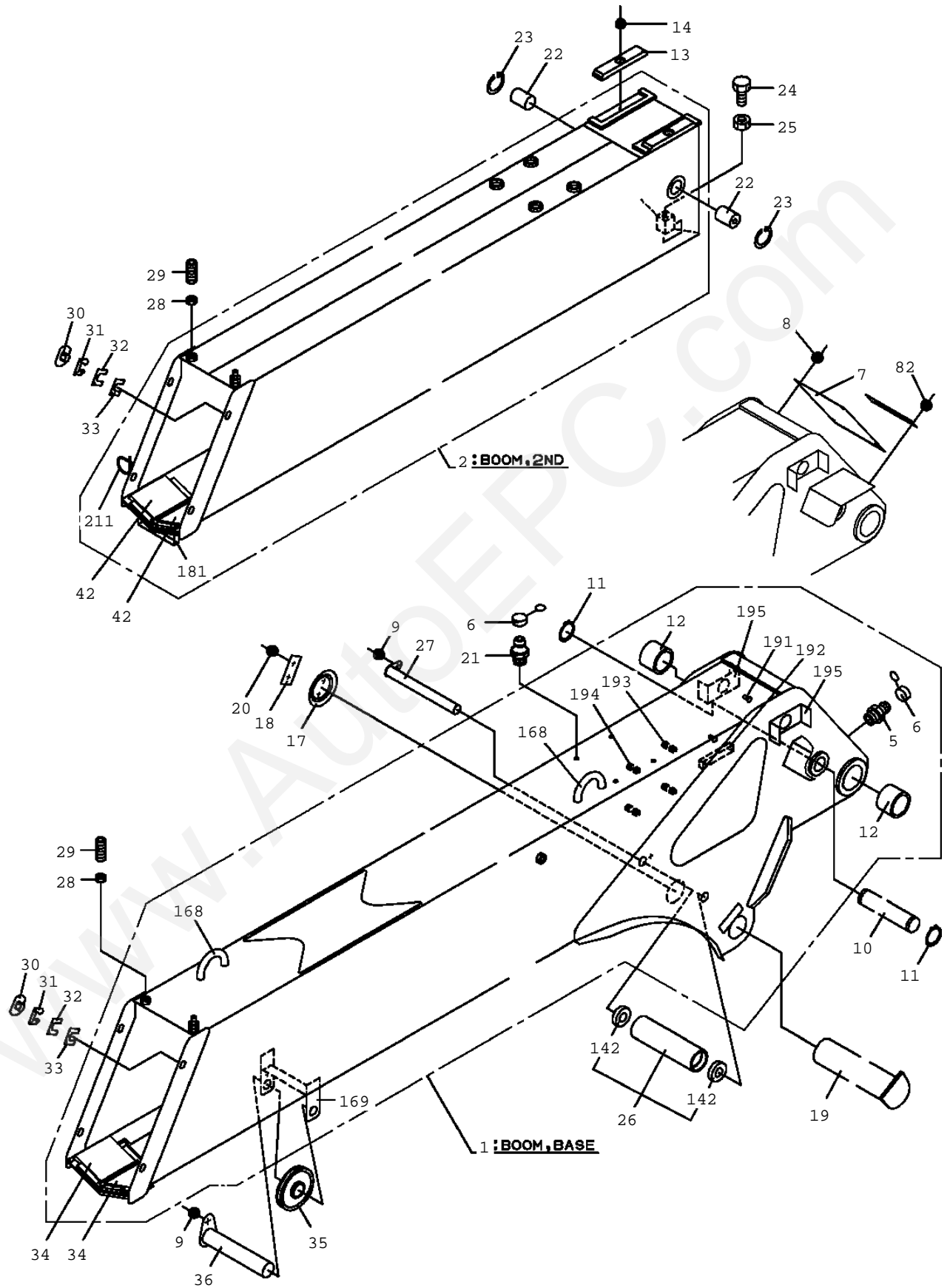
Pos No.	Parts No	Parts Name	Qty	Unit	Technical Data	Serial No (Start)	Serial
1	37000105061	PIN	1				
2	90101208014	BOLT	1		M8X14		
3	90302040801	WASHER, SPRING	1		8		
4	37002600190	WEDGE	1		8		
5	37002600100	SOCKET, ROPE	1		8&9		
6	83151410802	CLIP	1				

www.AutoEPC.com

TM-ZR300 31014020630 BOOM/4 SECT.,HOOK-IN
PG1010869-01 BOOM



TM-ZR300 31014020630 BOOM/4 SECT.,HOOK-IN
PG1010869-01 BOOM



TM-ZR300 31014020630 BOOM/4 SECT.,HOOK-IN

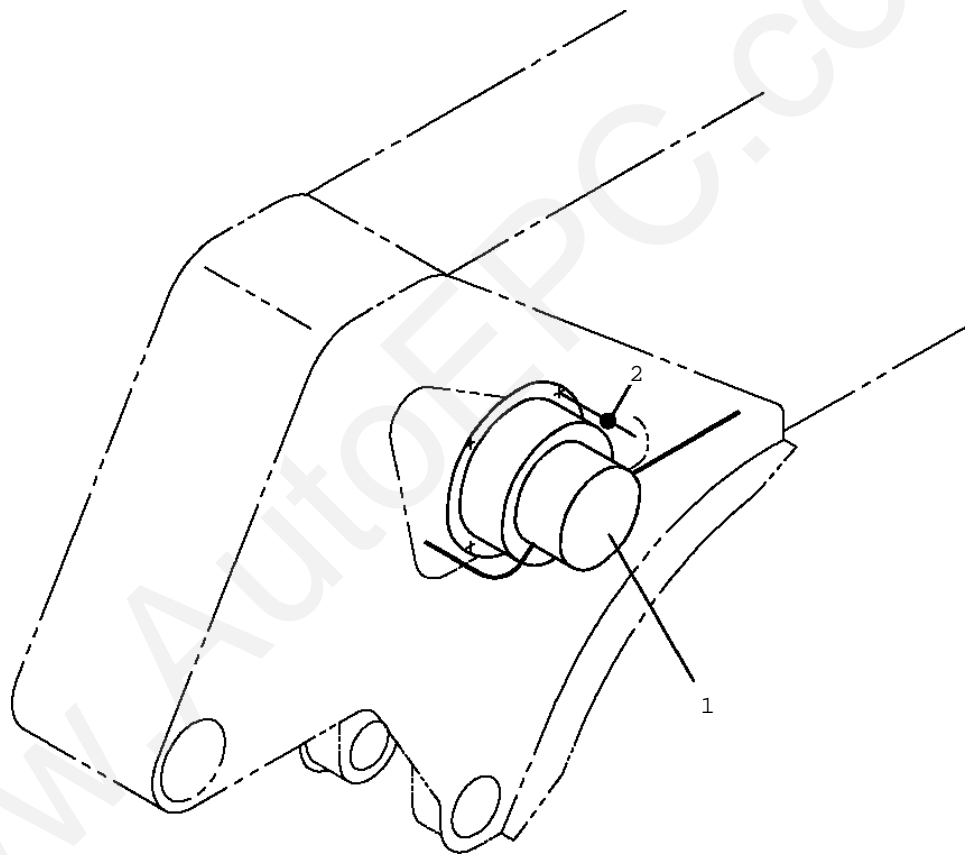
Pos No.	Parts No	Parts Name	Qty	Unit	Technical Data	Serial No (
1	31204169510	BOOM,BASE	1			
2	31203682000	BOOM,2ND	1			
3	31202513001	BOOM,3RD	1			
4	31203683000	BOOM, TOP	1			
5	82456101000	NIPPLE,GREASE	1		A-PT1/8	
6	82400000459	CAP	5			
7	31202510110	COVER	1			
8	90186208010	BOLT,FLANGE	7		M8X10	
9	90186210010	BOLT,FLANGE	2		M10X10	
10	37000173790	PIN	1			
11	80601110300	RING,RITAINING	2		S30	
12	37000403580	BEARING,PLAIN (DAIDO METAL)	2			
13	37002007410	PLATE,SLIDE	6			
14	90180206010	BOLT,BUTTON	6		M6X10	
15	90302040801	WASHER,SPRING	7		8	
16	90180208012	BOLT,BUTTON	6		M8X12	
17	31230412000	COVER	1			
18	37000527860	PLATE	1			
19	37000205220	PIN	1			
	37000204110	PIN	1			
20	90101210016	BOLT	2		M10X16	
21	82455106000	NIPPLE,GREASE	4		A-M6F FE	
22	37000159590	PIN	2			
23	80602110300	RING,RITAINING	2		R30	
24	90101212030	BOLT	1		M12X30	
25	90203201200	NUT	1		M12	
26	37001109480	ROLLER ASSY	1			
27	37000126850	PIN	1			
28	90201201000	NUT	8		M10	
29	90710710350	SCREW,SET	6		M10X35	
30	31201770100	PLATE,SLIDE	12		T=3.0	
31	31201580100	SHIM (FOR FIXED)	N			
32	31200713400	SHIM	N		T=0.6	
33	32200353500	SHIM	9		T=1.2	
34	37002006610	PLATE,SLIDE	2			
35	37001007770	SHEAVE	1			
36	37000109780	PIN	1			
37	80602110350	RING,RITAINING	2		R35	
38	37000109640	PIN	2			
39	31202510300	ROLLER ASSY	1			
40	90131910020	BOLT,HEXAGON SOCKET	2		M10X20	
41	90302401001	WASHER,SPRING	2		10	
42	37002017150	PLATE,SLIDE	2			
43	90101510030	BOLT	2		M10X30	
44	31202510700	COVER	1			
45	37002017450	PLATE,SLIDE	2			
46	31202510550	ROLLER ASSY	1			
50	37000173830	PIN	1			
51	37002213970	PLATE,NAME (MARKING)	1			
61	37001008230	SHEAVE	2			
	37001008670	SHEAVE ASSY	2			
62	37000313190	SPACER	2		L=7.5	DA8577
63	31202516100	PIN	1			
64	31202515501	LINK ASSY	1			
65	31200584000	COVER	1			
66	90191210020	BOLT	2		M10X20	
67	90302041001	WASHER,SPRING	2		10	
82	90451700100	SCREW,TAPPING	2		M4X6.4	
91	31202510400	SUPPORT	1			
92	37001101900	ROLLER	1			
93	80601110120	RING,RITAINING	2		S12	
94	37000173800	PIN	1			
101	37001107720	ROLLER ASSY	1			
102	37000538730	PLATE	2			
103	31202510560	SUPPORT	1			
104	37000160580	PIN	1			
105	90101208012	BOLT	1		M8X12	
107	90303070801	WASHER,PLAIN	1		8	
115	31202519530	SUPPORT	1			
121	31202515601	SPACER	1			
122	31201565200	PIN	1			
123	31202515700	LINK	1			
142	80530000224	BEARING,BALL (KOYO SEIKO)	2			
	80530000222	BEARING,BALL (NACHI)	2			

TM-ZR300 31014020630 BOOM/4 SECT.,HOOK-IN

Pos No.	Parts No	Parts Name	Qty	Unit	Technical Data	Serial No (
159	31202514191	SUPPORT	1			
168	31201571100	SUPPORT	2			
169	31202518030	SUPPORT ASSY	1			
181	31202512110	GUIDE	1			
191	90190000008	BOLT,STUD	2		M6X20	
192	31360742500	SUPPORT	1			
193	90288106030	NUT	3		M6X30	
194	90288106025	NUT	1		M6X25	
195	31360202500	SUPPORT	2			
197	80516006902	BEARING,BALL	2			
	31205310210	BEARING,BALL (IP)	2			DE1549
202	80516006207	BEARING,BALL	2			
	36093861100	BEARING,BALL	2			DA8577
211	31360192900	SUPPORT	1		L=55	

www.AutoEPC.com

TM-ZR300 31014020630 BOOM/4 SECT.,HOOK-IN
PG1120177-00 DETECTOR,BOOM LENGTH (BML,2-4SECT.)



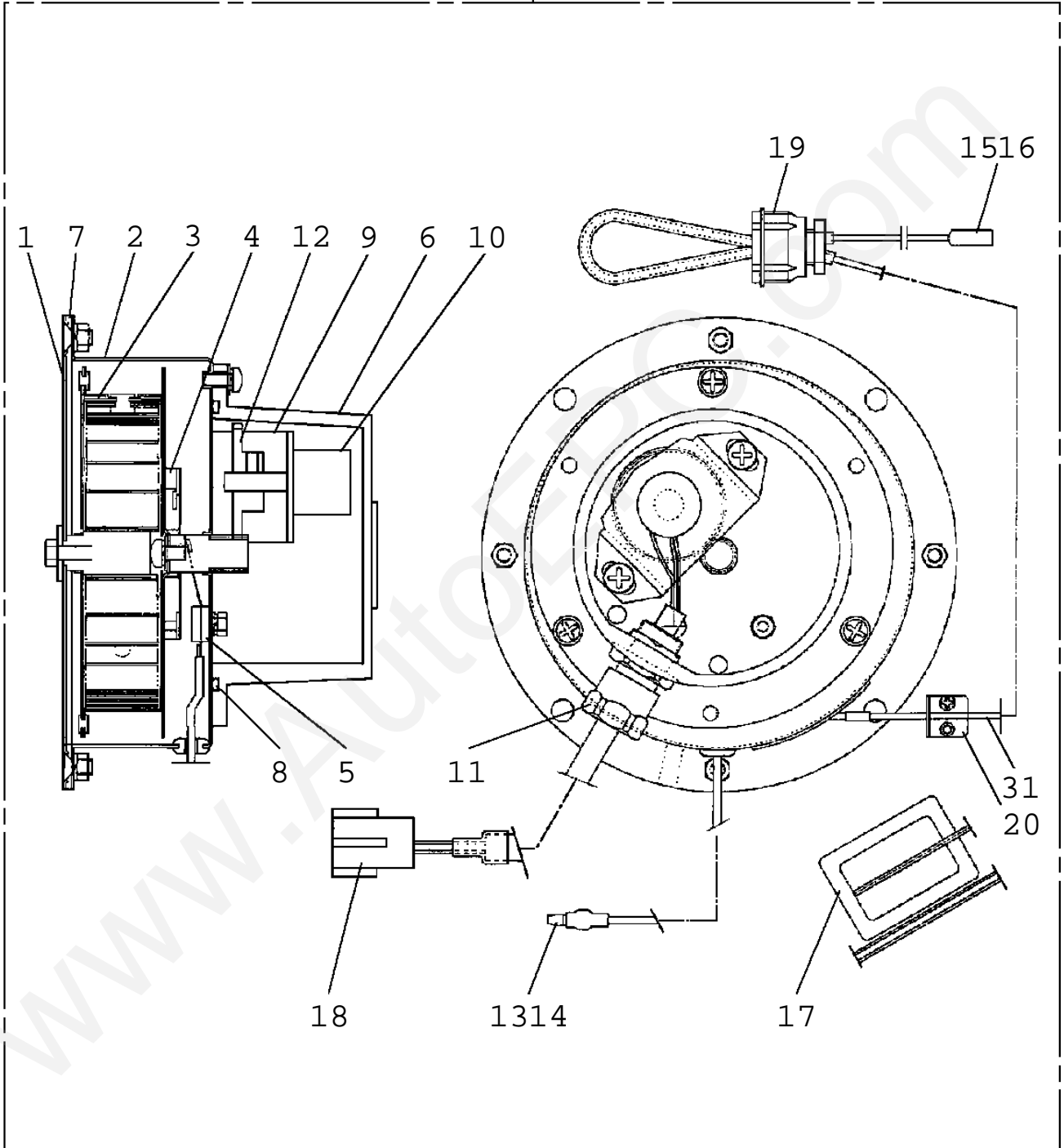
TM-ZR300 31014020630 BOOM/4 SECT.,HOOK-IN

Pos No.	Parts No	Parts Name	Qty	Unit	Technical Data	Serial No (Start)
1	36131740000	DETECTOR,BOOM LENGTH	1			
2	90186206010	BOLT,FLANGE	4		M6X10	

www.AutoEPC.com

TM-ZR300 31014020630 BOOM/4 SECT.,HOOK-IN
PG1130134-00 DETECTOR,BOOM LENGTH

100

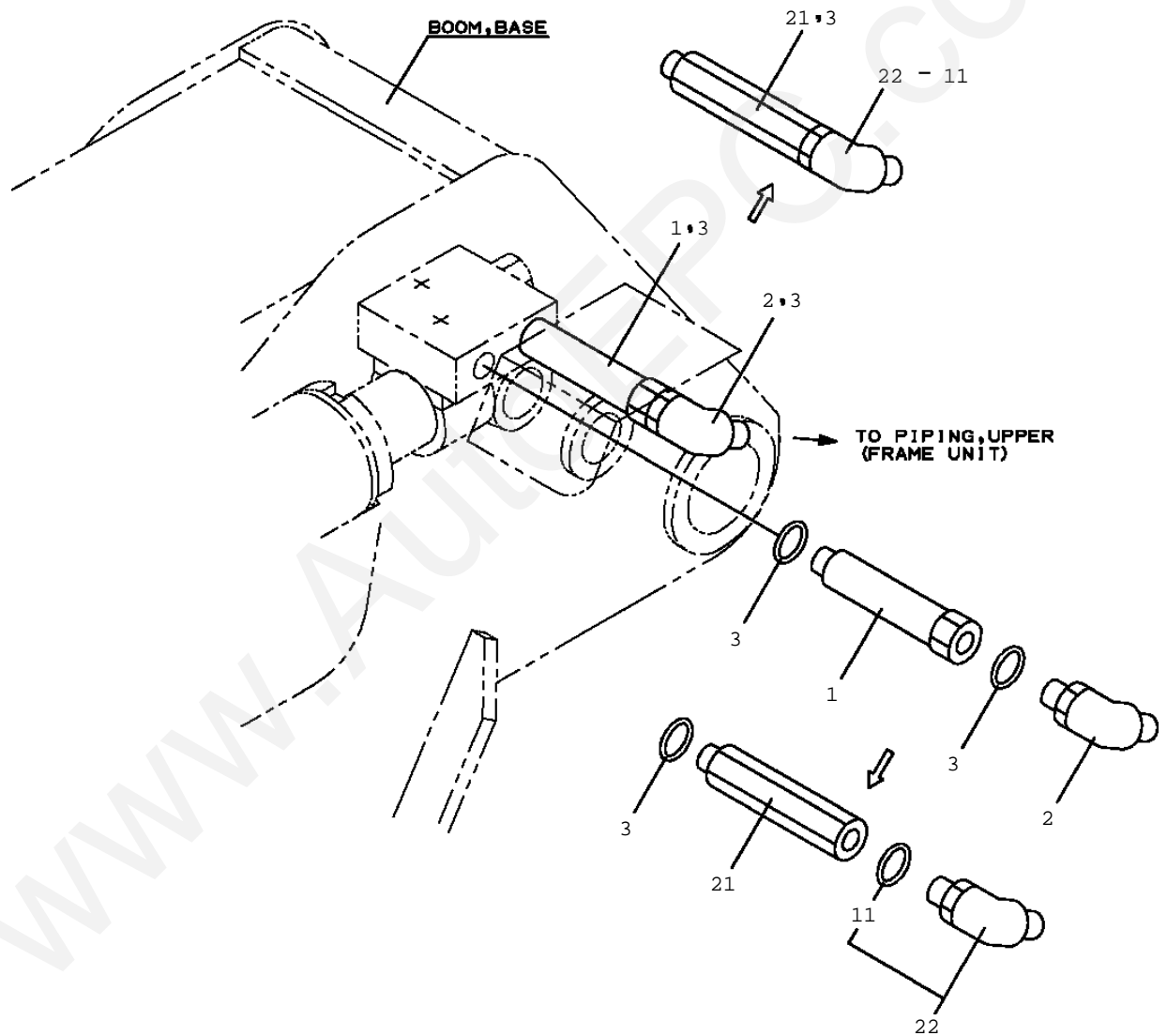


TM-ZR300 31014020630 BOOM/4 SECT.,HOOK-IN

Pos No.	Parts No	Parts Name	Qty	Unit	Technical Data	Serial No (Start)
1	36131315010	PLATE (BASE)	1			
2	36131745020	CASE	1			
3	36131745030	DRUM ASSY	1			
4	32360005050	RING,SLIP	1			
5	32360005060	CONTACTOR ASSY	1			
6	36131745040	CASE	1			
7	36131745050	PACKING	1			
8	91001209000	O-RING	1		1A G90	
9	36131745060	BRACKET	1			
10	36131745010	POTENTIOMETER	1			
11	36130915030	SEAL	1			
12	36131745070	GEAR	1			
13	82100000192	TERMINAL	1			
14	36161185010	CAP	1			
15	82100000191	TERMINAL	1			
16	36131625050	CAP	1			
17	31370005080	GUIDE (CORD)	1			
18	36131745080	CORD ASSY	1			
19	82100001406	CONNECTOR (SEAL)	1			
20	36130795030	STOPPER	2			
31	36131745090	CORD	13	M		
100	36131740000	DETECTOR,BOOM LENGTH	1			

www.AutoEPC.com

TM-ZR300 31014020630 BOOM/4 SECT.,HOOK-IN
PG1200149-02 PIPING,TELESCOPING

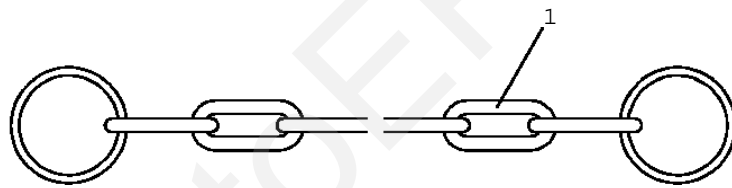


TM-ZR300 31014020630 BOOM/4 SECT.,HOOK-IN

Pos No.	Parts No	Parts Name	Qty	Unit	Technical Data	Serial No (Start)	Serial No
2	80481103030	JOINT	2		L,G3/8-G3/8		
3	91002801400	O-RING	4		1B P14		
21	37000928940	JOINT	2				

www.AutoEPC.com

TM-ZR300 31014020630 BOOM/4 SECT.,HOOK-IN
PH1060326-00 DETECTOR,OVER WIND (CHAIN,FOR WEIGHT)



www.AutoEPC.com

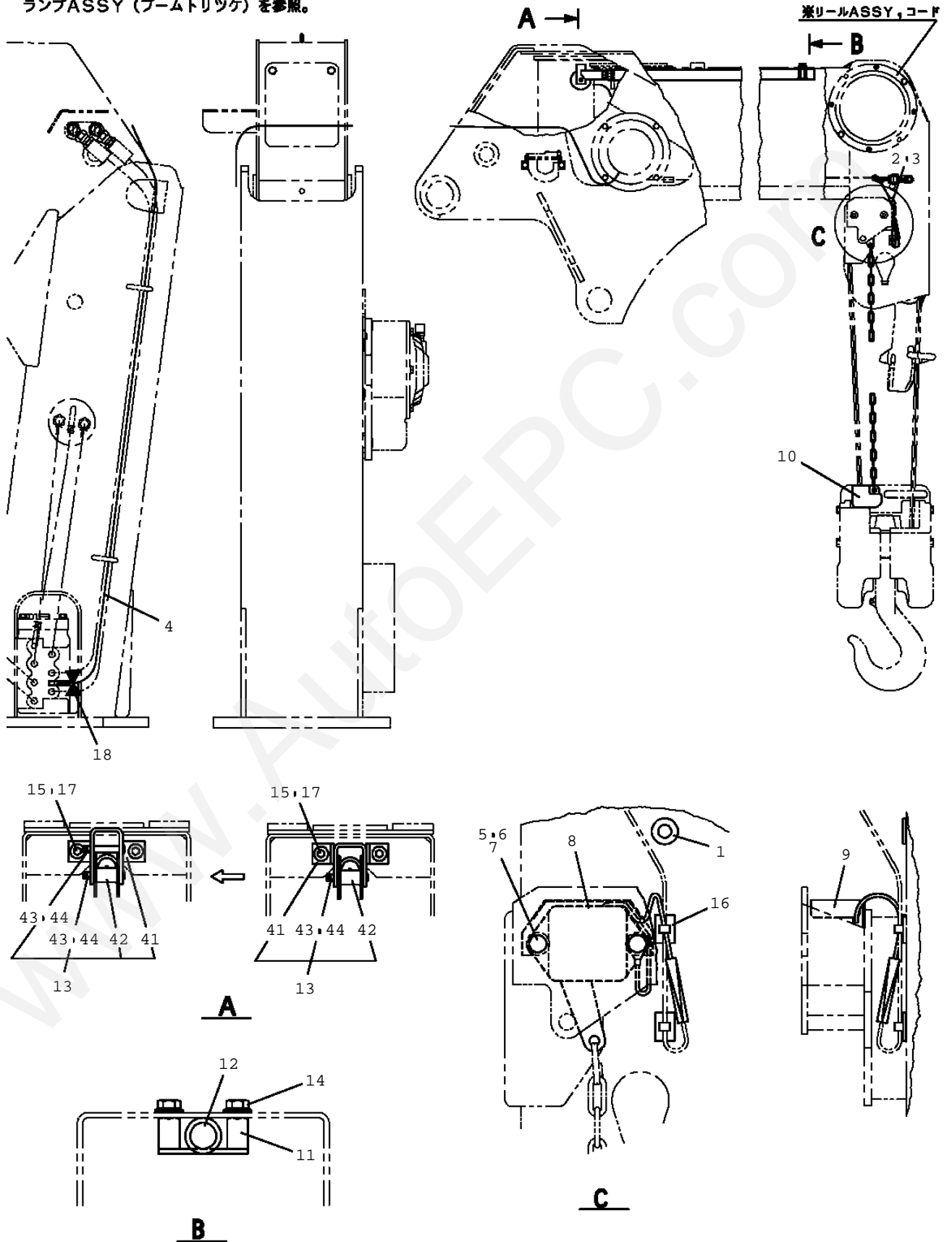
TM-ZR300 31014020630 BOOM/4 SECT.,HOOK-IN

Pos No.	Parts No	Parts Name	Qty	Unit	Technical Data	S
1	31371923500	DETECTOR,OVER WIND (CHAIN,FOR WEIGHT)	1			

www.AutoEPC.com

TM-ZR300 31014020630 BOOM/4 SECT.,HOOK-IN
PH1060417-01 DETECTOR,OVERWIND

※リールASSY,コードは、フレーム部のトクベツシヨウ (デンキカンケイ) から出てくる
ランプASSY (ブームトリック) を参照。



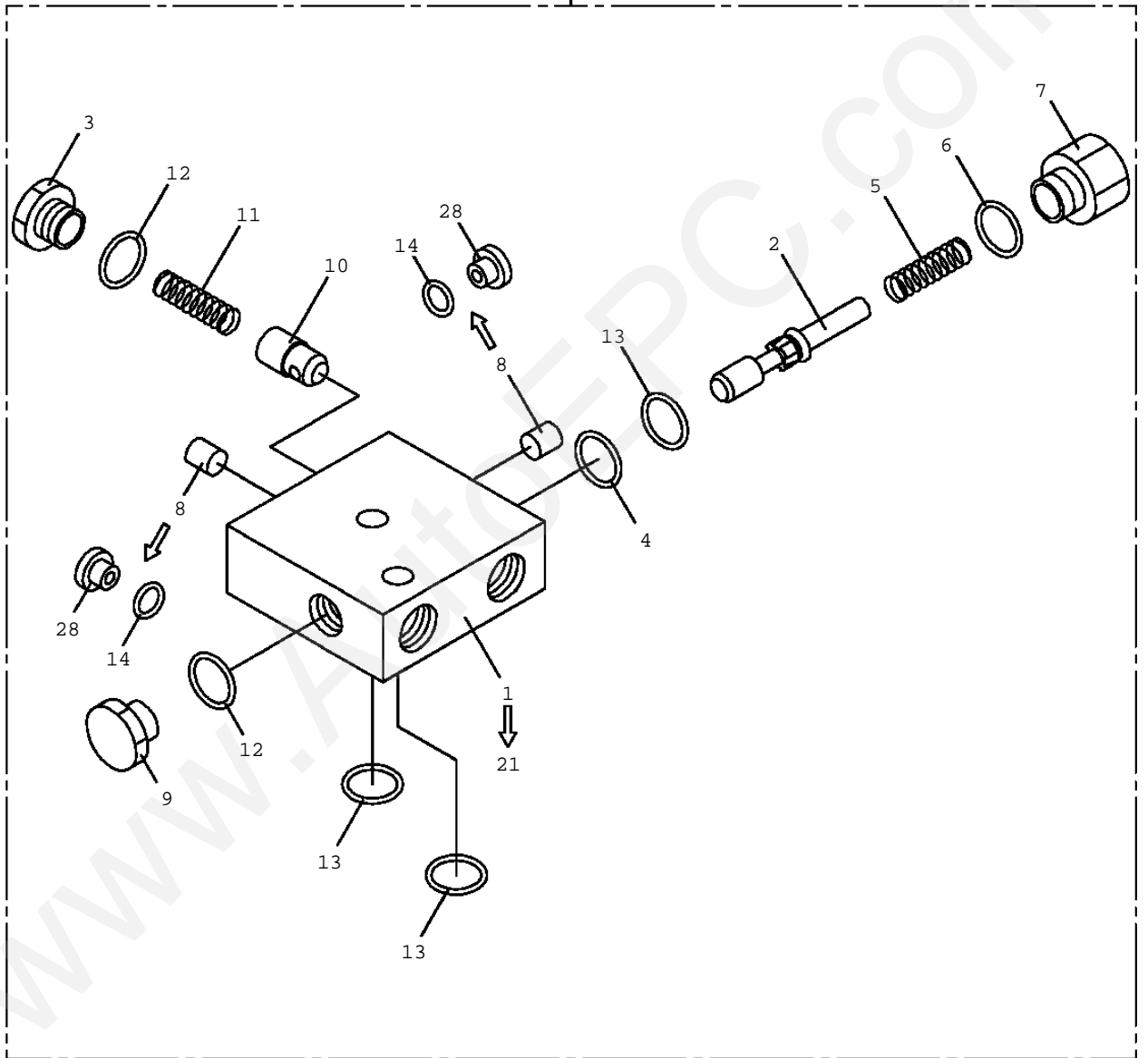
TM-ZR300 31014020630 BOOM/4 SECT.,HOOK-IN

Pos No.	Parts No	Parts Name	Qty	Unit	Technical Data	Serial No (Star
1	14148375000	GROMMET	1			
2	82100000191	TERMINAL	1			
3	82100000183	INSULATOR	1			
4	31372600100	HARNES	1			
5	90302040601	WASHER,SPRING	2		6	
6	80182306014	SCREW,MACHINE	2		M6X14	
7	90303070601	WASHER,PLAIN	2		6	
8	31371922000	SWITCH ASSY (ASSY ONLY)	1			
9	31371283000	SUPPORT	1			
10	31371923000	WEIGHT	1			
11	31371920100	SUPPORT	1			
12	31371920200	PIPE	1			
13	31371921000	ROLLER ASSY	1			
14	90186208014	BOLT,FLANGE	2		M8X14	
15	90302040801	WASHER,SPRING	2		8	
16	82401600504	CLAMP	2			
17	90172108012	BOLT,HEXAGON SOCKET	2		M8X12	
18	91810130230	FASTENER	2			
41	31371921100	SUPPORT	1			
42	31371921200	ROLLER	1			
43	37000122350	PIN	2			
44	80136320016	PIN,SPLIT	2		2X16	

www.AutoEPC.com

TM-ZR300 31014020630 BOOM/4 SECT.,HOOK-IN
PI1250125-02 VALVE,COUNTERBALANCE

50

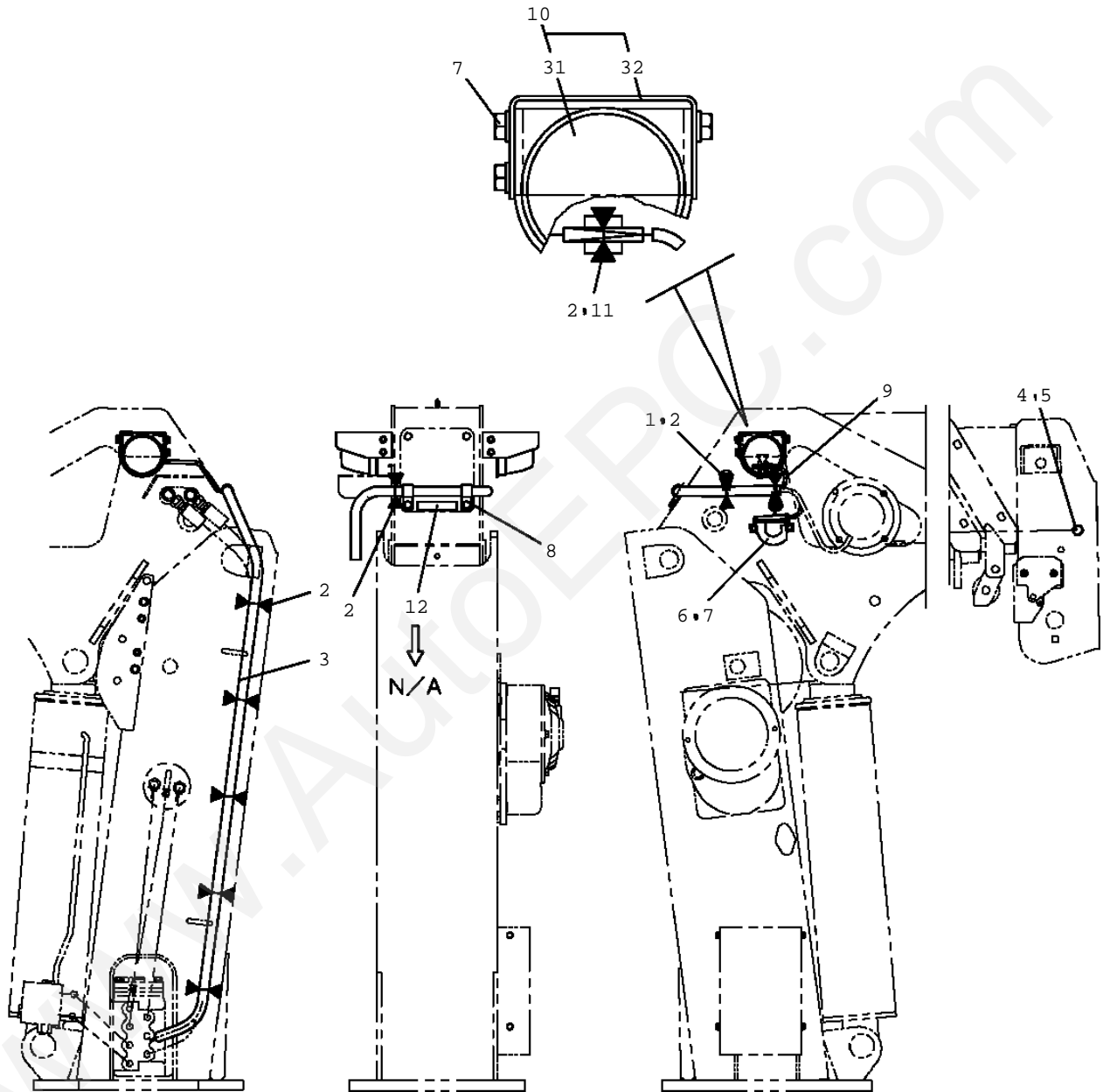


TM-ZR300 31014020630 BOOM/4 SECT.,HOOK-IN

Pos No.	Parts No	Parts Name	Qty	Unit	Technical Data	Serial No (Start)
1	36605200101	BODY	1			
2	36605200201	SPOOL	1			
3	36605200030	PLUG	1			
4	91411001100	RING,BACKUP	1			
5	37001201750	SPRING	1			
6	91002801800	O-RING	1		1B P18	
7	36605200010	PLUG	1			
8	82441810100	PLUG	2			
9	36605200020	PLUG	1			
10	36605200300	POPPET	1			
11	37001201760	SPRING	1			
12	91002801400	O-RING	2		1B P14	
13	91002801100	O-RING	3		1B P11	
14	91002800800	O-RING	2		1B P8	DD9425
21	36605200400	BODY	1			DD9425
28	80316100010	PLUG	2		GPF1/8	DD9425
50	36605200001	VALVE ,COUNTERBALANCE	1			

www.AutoEPC.com

TM-ZR300 31014020630 BOOM/4 SECT.,HOOK-IN
PN1013762-01 ELEC.ASSY

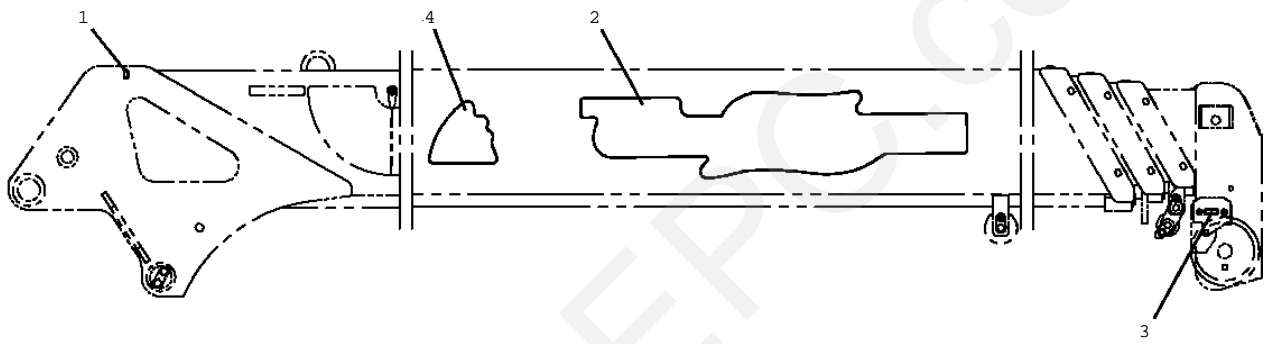


TM-ZR300 31014020630 BOOM/4 SECT.,HOOK-IN

Pos No.	Parts No	Parts Name	Qty	Unit	Technical Data	Serial No
1	91850100802	CLAMP (STUD BOLT MOUNT)	2			
2	91810130240	FASTENER	10			
3	31360191010	COVER	1			
4	31360191200	SUPPORT	1			
5	90203201200	NUT	1		M12	
6	36140470000	DETECTOR,BOOM ANGLE	1			
7	90186206010	BOLT,FLANGE	10		M6X10	
8	82100002015	CLAMP	2		WRC20	
9	31360741200	HARNES	1			
10	31360741300	LAMP ASSY	2			
11	91850310305	CLAMP	2			
12	31360746300	PLATE,NAME (FRAME SERIAL NO.)	1			
31	82199444326	LAMP (YELLOW) <24V 12W)	2			
32	31360741310	SUPPORT	2			

www.AutoEPC.com

TM-ZR300 31014020630 BOOM/4 SECT.,HOOK-IN
PO1014273-00 PLATE ASSY,NAME (JAPANESE)

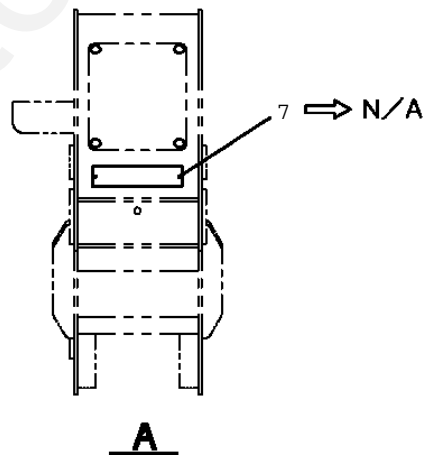
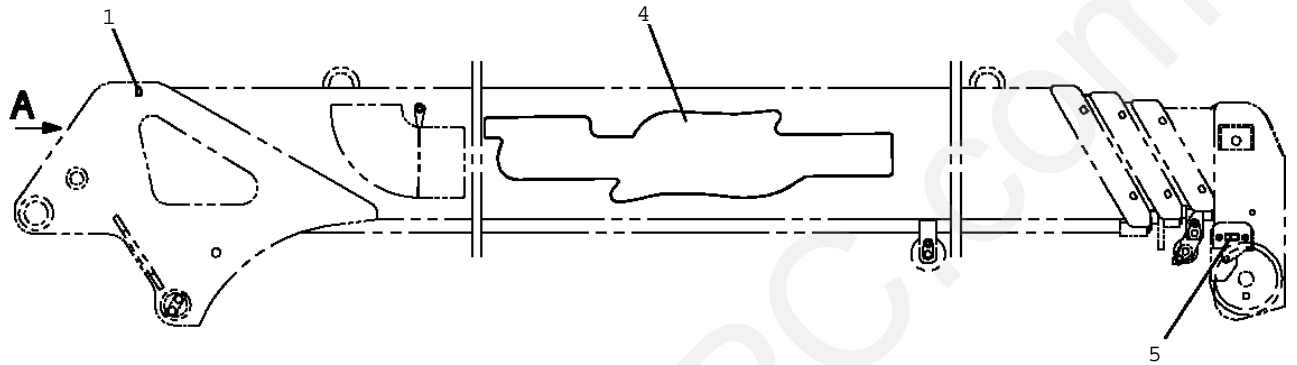


TM-ZR300 31014020630 BOOM/4 SECT.,HOOK-IN

Pos No.	Parts No	Parts Name	Qty	Unit	Technical Data	Serial No (Sta
1	37002206490	PLATE,NAME (GREASE)	2			
2	37002221030	PLATE,NAME (CARGO CRANE)	2			
3	37002212770	PLATE,NAME (DC24V,0.1A)	1			
4	31361114200	PLATE,NAME (E.Y.E.S.)	2			

www.AutoEPC.com

TM-ZR300 31014020630 BOOM/4 SECT.,HOOK-IN
PO1014275-01 PLATE ASSY,NAME (ENGLISH)

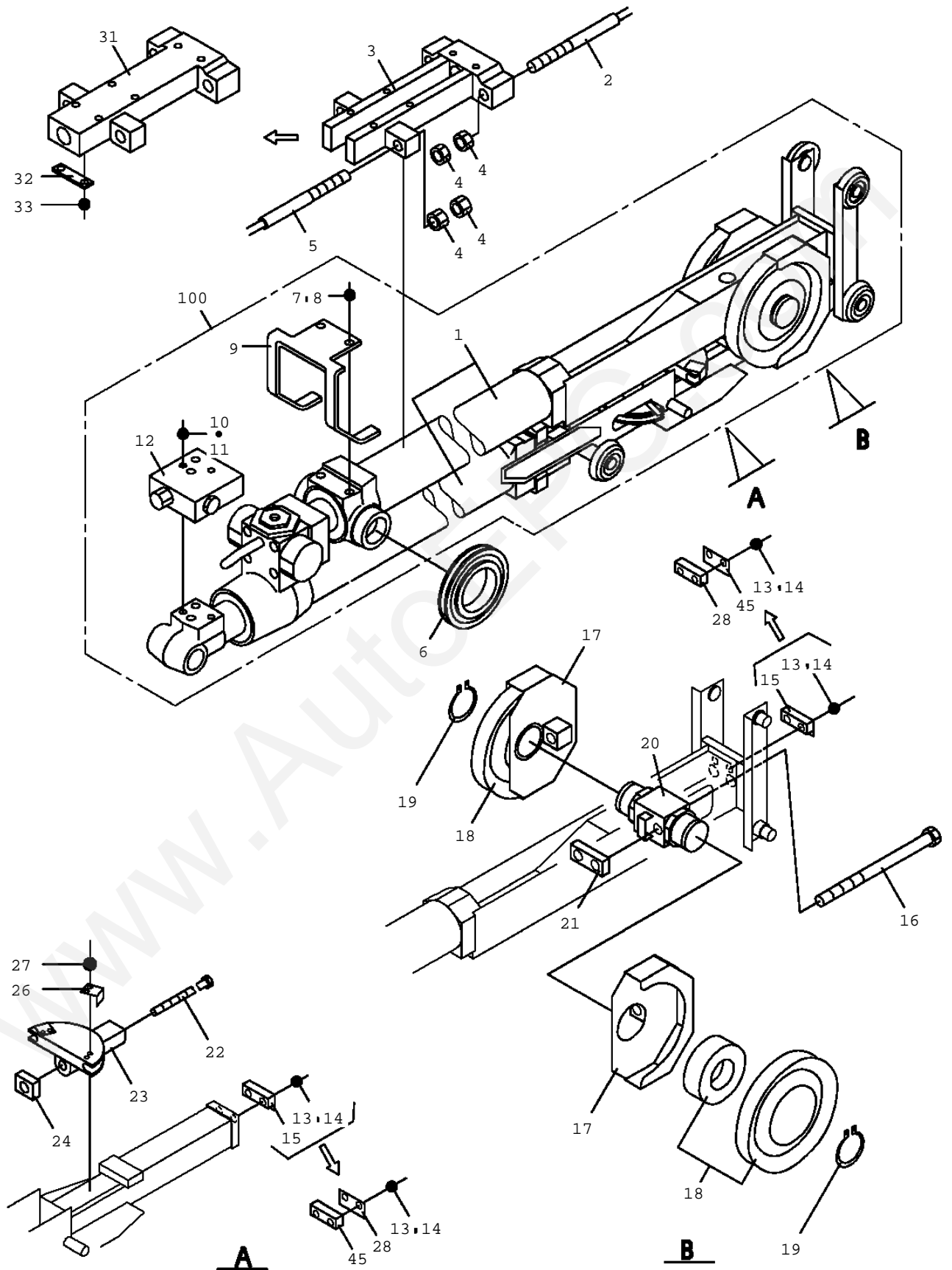


TM-ZR300 31014020630 BOOM/4 SECT.,HOOK-IN

Pos No.	Parts No	Parts Name	Qty	Unit	Technical Data	Serial No (Sta
1	14137207000	PLATE,NAME (GREASE)	2			
4	37002221030	PLATE,NAME (CARGO CRANE)	2			
5	37002212770	PLATE,NAME (DC24V,0.1A)	1			
7	90451700100	SCREW,TAPPING	2		M4X6.4	

www.AutoEPC.com

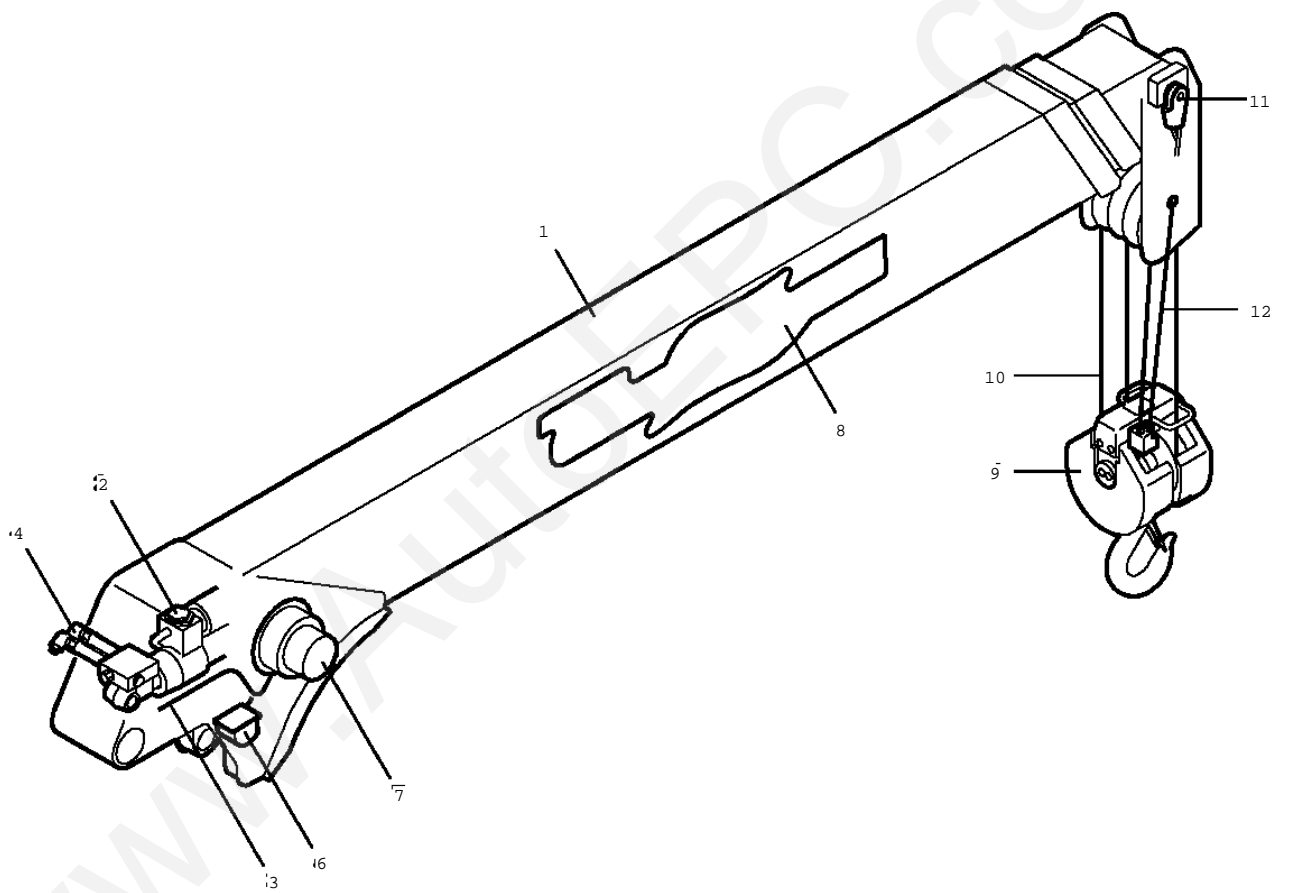
TM-ZR300 31014020630 BOOM/4 SECT.,HOOK-IN
PT5130048-00 TELESCOPE ASSY



TM-ZR300 31014020630 BOOM/4 SECT.,HOOK-IN

Pos No.	Parts No	Parts Name	Qty	Unit	Technical Data	Serial N
1	36016030000	CYLINDER ASSY,TELESCOPING	1			
	36016030001	CYLINDER ASSY,TELESCOPING	1			DE8290
2	37001910600	ROPE,WIRE (KOKOKU)	1		9X5.89M	
	37001912310	ROPE,WIRE (TESAC)	1		9X5.89M	
	37001921580	ROPE,WIRE (KISWIRE)	1		9X5.89M	DA8346
4	90201201400	NUT	8		M14	
5	37001916800	ROPE,WIRE (KOKOKU)	1		8X6.02M	
	37001916790	ROPE,WIRE (TESAC)	1		8X6.02M	
	37001921590	ROPE,WIRE (KOURAI)	1		8X6.02M	DA8335
6	37001004450	SHEAVE ASSY	2			
7	90172108014	BOLT,HEXAGON SOCKET	2		M8X14	
8	90302040801	WASHER,SPRING	2		8	
9	31211390200	SUPPORT	1			
10	90302041001	WASHER,SPRING	2		10	
11	90171110040	BOLT	2		M10X40	
12	36605200001	VALVE,COUNTERBALANCE	1			
13	90172106025	BOLT,HEXAGON SOCKET	4		M6X25	
14	90302040601	WASHER,SPRING	4		6	
16	37001508570	BOLT	2			
17	31211390300	SUPPORT	2			
18	37001004490	SHEAVE ASSY	2			
19	80601110400	RING,RITAINING	2		S40	
20	31211390600	PIN	1			
21	37000570940	PLATE	1			
22	37001508720	BOLT	1			
23	31211390700	SUPPORT	1			
24	31211390500	PLATE	1			
26	31211390800	PLATE	2			
27	80171304012	SCREW,MACHINE	4		M4X12	
28	37000577520	PLATE	2			
31	31211392100	SUPPORT	1			
32	37002006310	PLATE,SLIDE	2			
33	80175304008	SCREW,MACHINE	4		M4X8	
45	37000577510	PLATE	2		T=3	
100	31211398010	CYLINDER,TELESCOPING (WITH CV)	1			
	31211398011	TELESCOPE ASSY	1			DE8290

TM-ZR300 31014020630 BOOM/4 SECT.,HOOK-IN
PZ1000486-00 BOOM SYSTEM

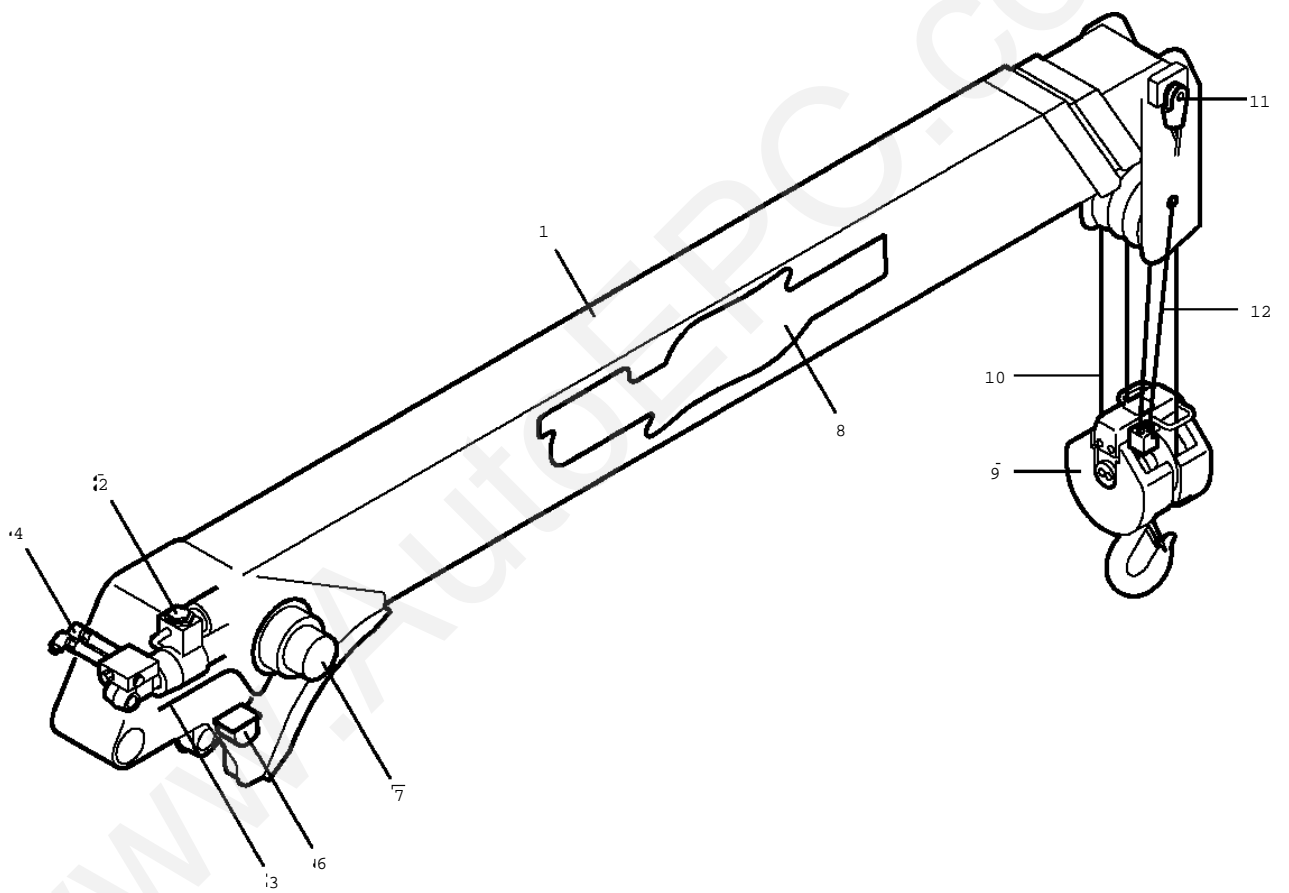


TM-ZR300 31014020630 BOOM/4 SECT.,HOOK-IN

Pos No.	Parts No	Parts Name	Qty	Unit	Technical Data
1	(*****)	BOOM	1		
2	(*****)	TELESCOPE ASSY	1		
3	(*****)	DETECTOR,OVERWIND	1		
4	(*****)	PIPING,TELESCOPING	1		
6	(*****)	ELEC.ASSY	1		
7	(*****)	DETECTOR,BOOM LENGTH (BML,2-4SECT.)	1		
8	(*****)	PLATE ASSY,NAME (JAPANESE)	1		
9	36093860000	HOOK (SHEAVE 2 PC'S)	1		
10	37001804860	ROPE,WIRE (KISWIRE)	1		
11	(*****)	SOCKET,ROPE	1		
12	31371923500	DETECTOR,OVER WIND (CHAIN,FOR WEIGHT)	1		

www.AutoEPC.com

TM-ZR300 31014020630 BOOM/4 SECT.,HOOK-IN
PZ1000486-00 BOOM SYSTEM



TM-ZR300 31014020630 BOOM/4 SECT.,HOOK-IN

Pos No.	Parts No	Parts Name	Qty	Unit	Technical Data
1	(*****)	BOOM	1		
2	(*****)	TELESCOPE ASSY	1		
3	(*****)	DETECTOR,OVERWIND	1		
4	(*****)	PIPING,TELESCOPING	1		
6	(*****)	ELEC.ASSY	1		
7	(*****)	DETECTOR,BOOM LENGTH (BML,2-4SECT.)	1		
8	(*****)	PLATE ASSY,NAME (ENGLISH)	1		
9	36093860000	HOOK (SHEAVE 2 PC'S)	1		
10	37001804860	ROPE,WIRE (KISWIRE)	1		
11	(*****)	SOCKET,ROPE	1		
12	31371923500	DETECTOR,OVER WIND (CHAIN,FOR WEIGHT)	1		

www.AutoEPC.com